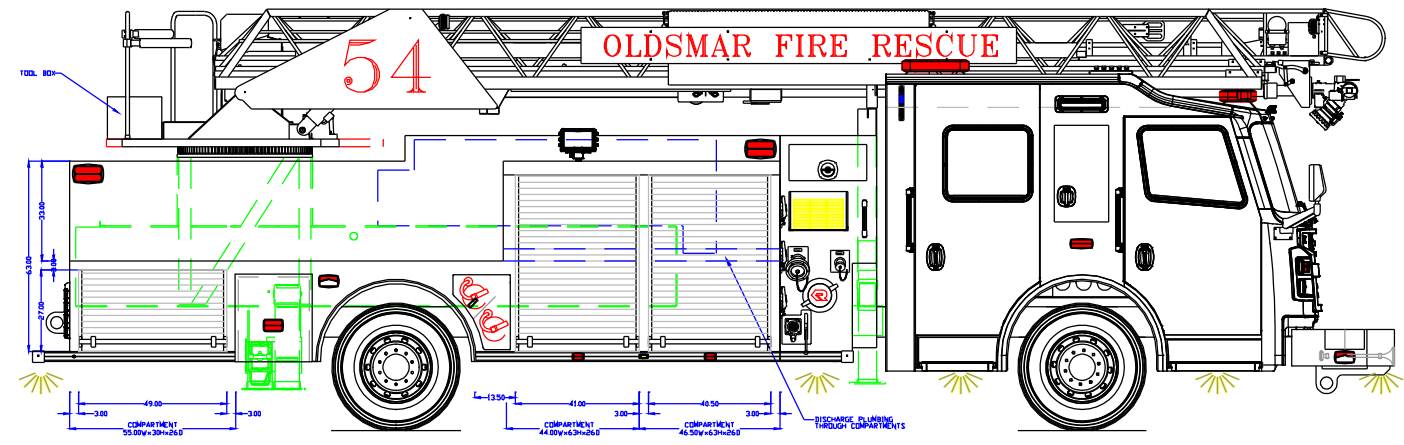
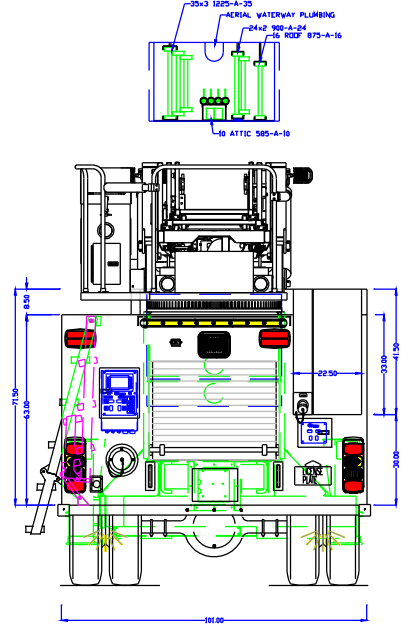
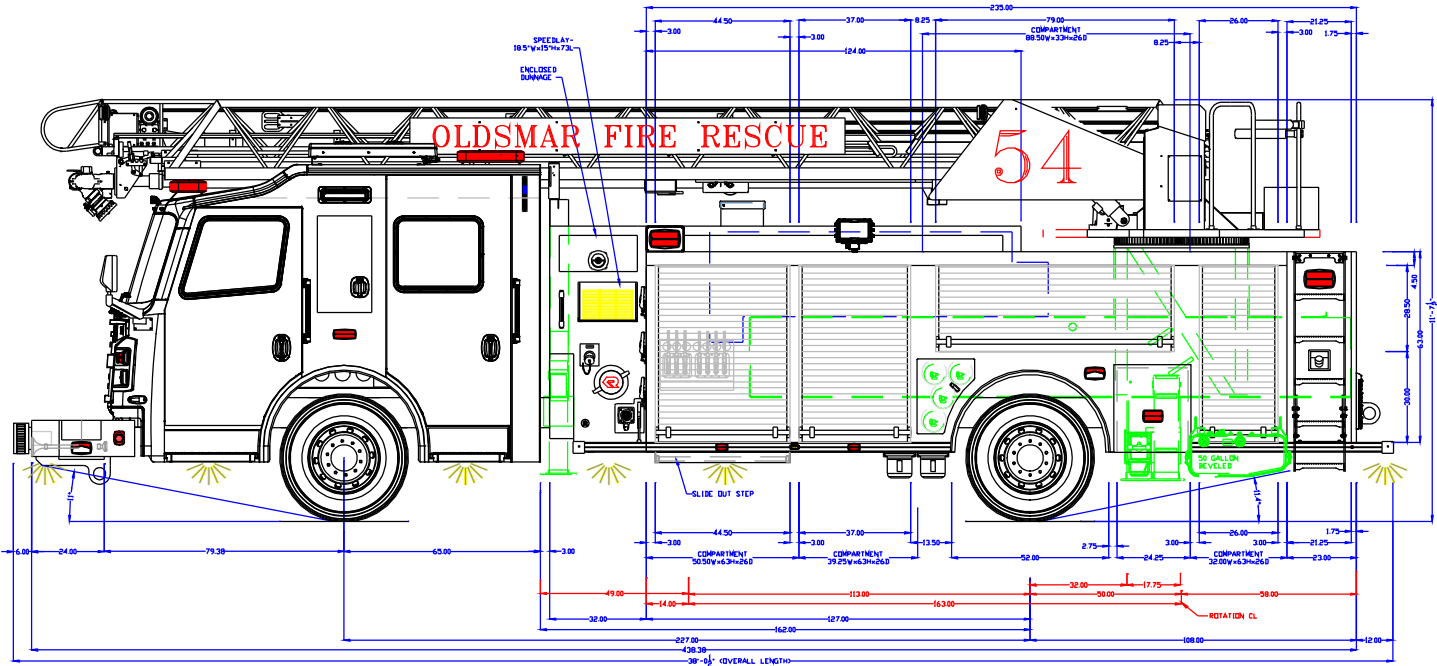
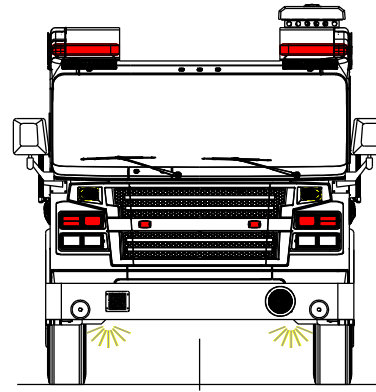
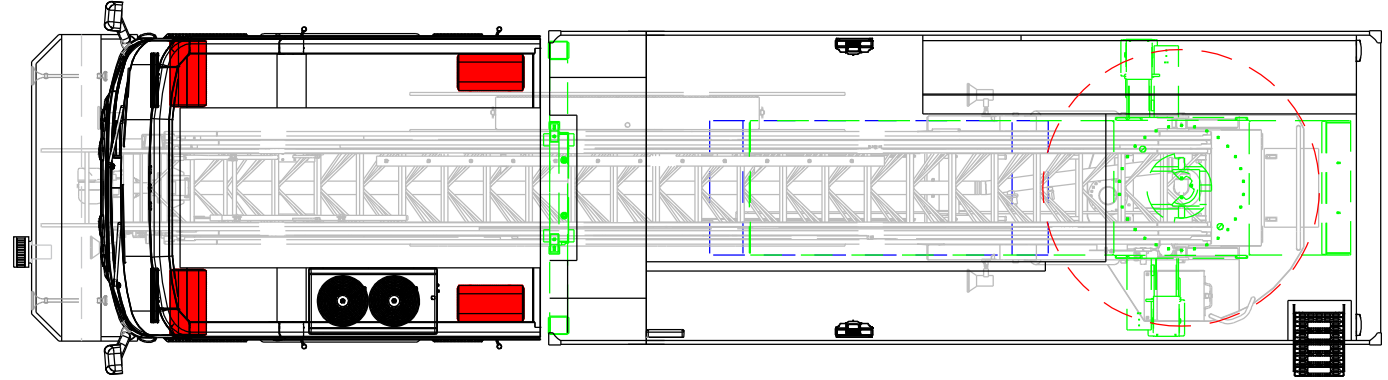


- NOTES:
1. OVERALL HEIGHT IS IN LOADED CONDITION. UNLOADED HEIGHTS MAY BE 4" ABOVE HEIGHTS SHOWN.
 2. DO NOT SCALE DRAWING.
 3. ALL DIMENSIONS ARE APPROXIMATE AND SUBJECT TO ENGINEERING CHANGES.
 4. DRAWING MAY OR MAY NOT SHOW ALL ITEMS AS DESCRIBED IN THE WRITTEN DETAIL SPECIFICATIONS.
 5. INCLUSION OF AN ITEM ON THE DRAWING DOES NOT CONSTITUTE INCLUSION OF THAT ITEM WITH THE FINAL DELIVERED UNIT.
 6. THE EFFECTIVE DOOR OPENINGS WILL BE APPROX. 2" LESS THAN THE NOTED COMPARTMENT OPENING FOR ROLL UP DOORS AND UP TO APPROX. 4" LESS FOR HINGED DOORS

INITIALS: _____
 JOB NUMBER: 7691
 DATE: _____

MAIN FILE: _____
 DEPT: _____
 DEALER: _____

PRODUCTION APPROVED



APPROVED BY: _____

CHASSIS: COMMANDER 6511
 PUMP: ROSENBAUER 1500 GPM
 TANK: POLY/500
 PANEL MATL: STAINLESS STEEL
 COMP INTERIOR: SPATTER PAINTED

MAXIMUM HEIGHT	NONE
MAXIMUM LENGTH	NONE
BODY WIDTH	101"

REVISIONS: _____ DATE: _____
 DRAWN: BPC DATE: 10-31-2022

PROPRIETARY AND CONFIDENTIAL
 THE INFORMATION CONTAINED IN THIS DRAWING IS THE SOLE PROPERTY OF ROSENBAUER. ANY REPRODUCTION IN PART OR AS A WHOLE WITHOUT THE WRITTEN PERMISSION OF ROSENBAUER IS PROHIBITED.

ROSENBAUER

ROSENBAUER FX 1/8"
 OLD SMAR, FL MP3 78' VIPER 2

**OLDSMAR, FL
 FIRE & RESCUE**